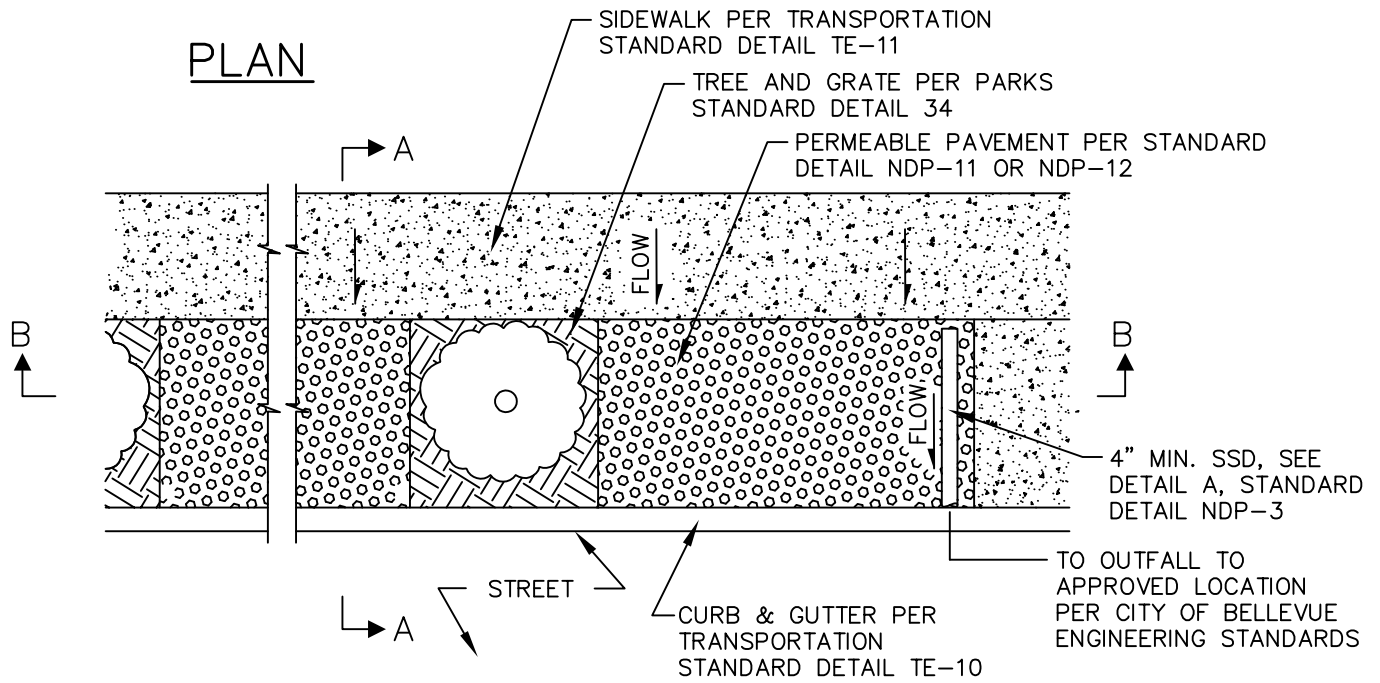
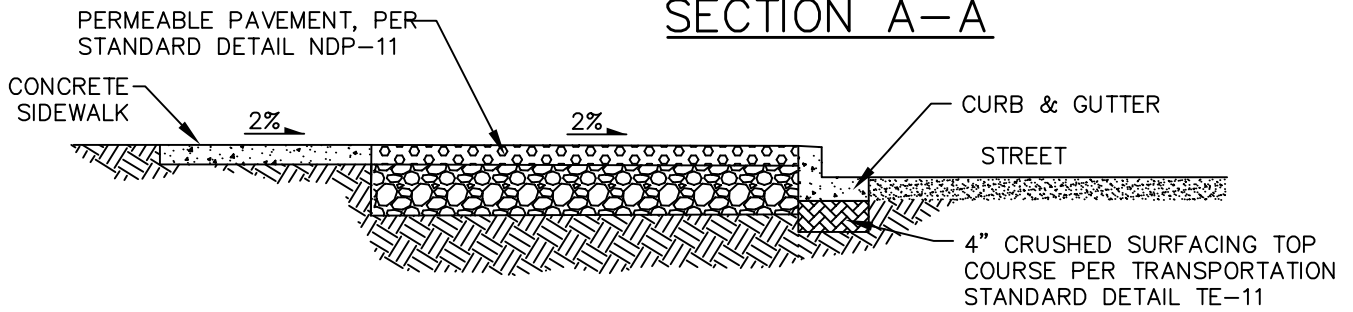


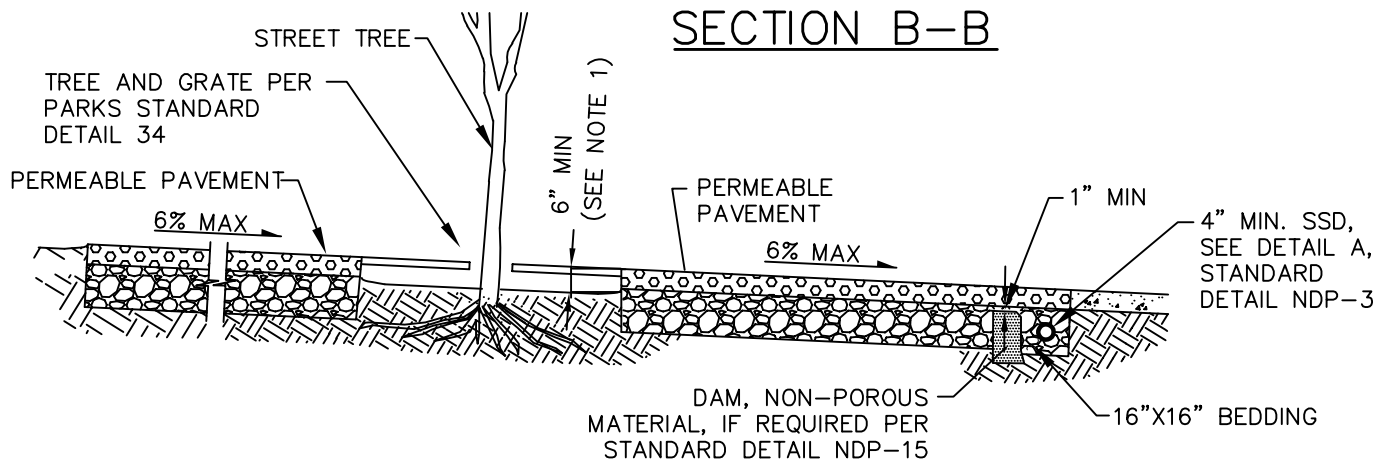
# PLAN



## SECTION A-A



## SECTION B-B



**NOTE:**

1. 6" MIN. DEPTH IN THE TREE PIT APPLIES TO PERVIOUS CEMENT CONCRETE SIDEWALK ONLY. IF OTHER PERMEABLE PAVER MATERIAL USED, NO MIN. DISTANCE REQUIRED.
2. ROOT BARRIER AS NECESSARY AS DIRECTED BY THE ENGINEER.



City of Bellevue

STORM AND SURFACE WATER UTILITIES

TITLE

PERMEABLE PAVEMENT SIDEWALK IN PLANTING STRIP