

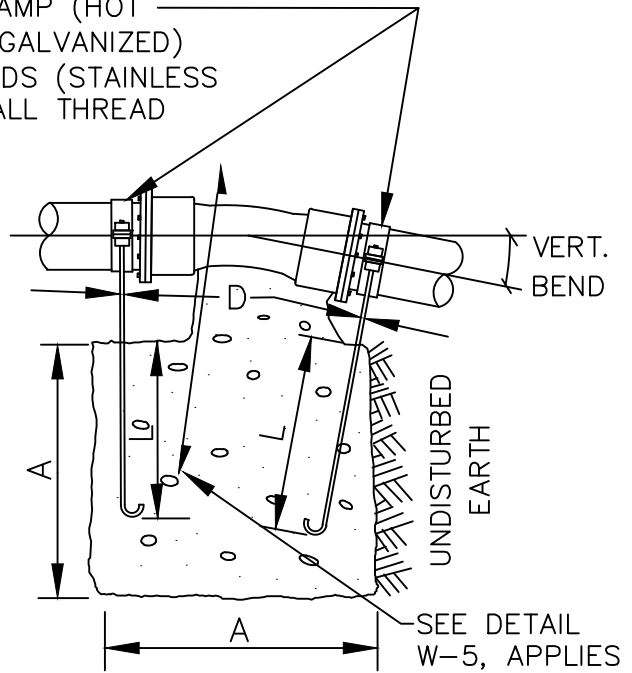
**VERTICAL BLOCKING
FOR 11 1/4°-22 1/2°-30° BENDS**

PIPE SIZE	V B	CU FT	A	D	L	
4"	11 1/4°	8	2.0'	3/4"	1.5'	
	22 1/2°	11	2.2'		2.0'	
	30°	17	2.6'			
6"	11 1/4°	11	2.2'	3/4"	2.0'	
	22 1/2°	25	2.9'			
	30°	41	3.5'			
8"	11 1/4°	16	2.5'	3/4"	2.0'	
	22 1/2°	47	3.6'			
	30°	70	4.1'			
12"	11 1/4°	32	3.2'	3/4"	2.0'	
	22 1/2°	88	4.5'			7/8"
	30°	132	5.1'			
16"	11 1/4°	70	4.1'	7/8"	3.0'	
	22 1/2°	184	5.7'			1 1/8"
	30°	275	6.5'			
20"	11 1/4°	91	4.5'	7/8"	3.0'	
	22 1/2°	225	6.1'			1 1/4"
	30°	330	6.9'			
24"	11 1/4°	128	5.0'	1"	3.5'	
	22 1/2°	320	6.8'			1 3/8"
	30°	480	7.9'			

VERTICAL BLOCKING FOR 45° BENDS

4"	45°	30	3.1'	3/4"	2.0'	
6"		68	4.1'			
8"		123	5.0'			
12"		232	6.1'	3/4"	2.5'	
16"		478	7.8'			1 1/8"
20"		560	8.2'			
24"		820	9.4'			

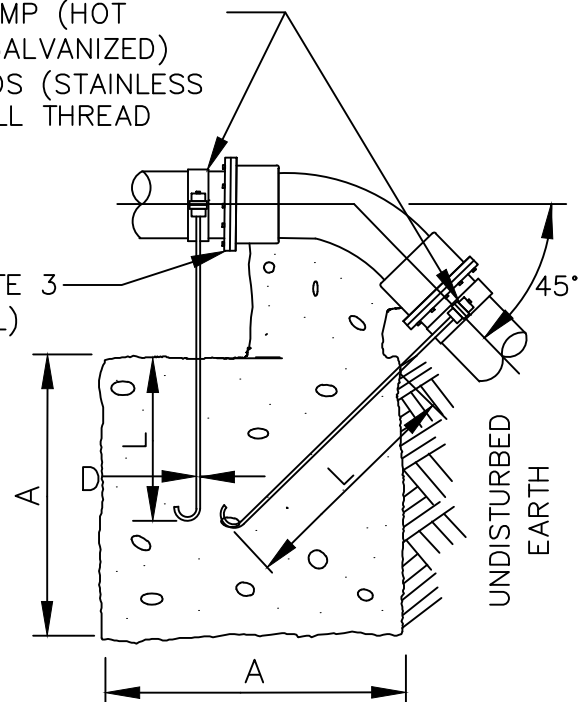
PIPE CLAMP (HOT DIPPED GALVANIZED) WITH RODS (STAINLESS STEEL-ALL THREAD 316SS)



**VERTICAL BLOCKING
FOR 11 1/4°, 22 1/2°, & 30° BENDS**

PIPE CLAMP (HOT DIPPED GALVANIZED) WITH RODS (STAINLESS STEEL-ALL THREAD 316SS)

SEE NOTE 3 (TYPICAL)



**VERTICAL BLOCKING
FOR 45° BENDS**

NOTES:

1. CONCRETE BLOCKING BASED ON 200 PSI PRESSURE AND 2500 PSI CONCRETE.
2. LEAVE BLOCK OPEN OR SHEETED 24 HOURS MINIMUM.
3. JOINT RESTRAINT SEE APPROVED MATERIALS LIST.

JANUARY 2022

NO SCALE



City of Bellevue

WATER UTILITY

TITLE

VERTICAL BLOCKING
FOR CONNECTING TO
EXISTING MAIN

NO. W-3