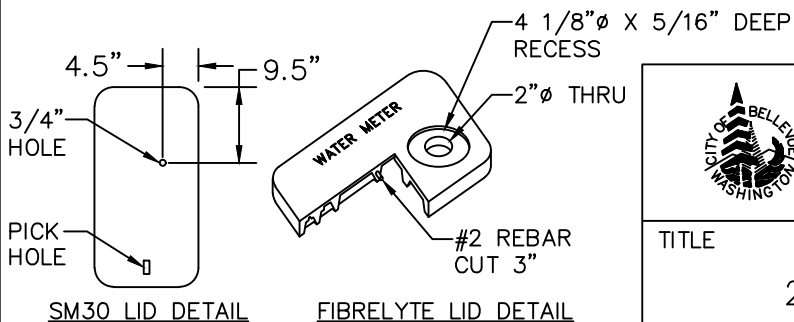


- (A) EPOXY OR NYLON COATED HIGH TENSILE D.I. SERVICE SADDLE W/ DOUBLE STAINLESS STEEL STRAP AND EPOXY COATED BOSS, 2" AWWA TAPER (CC) TAP, ROMAC 202S, OR APPROVED EQUAL, SIZE AS REQUIRED.
- (B) BALL CORPORATION STOP, 2" AWWA TAPER (CC) INLET BY 2" MALE IRON PIPE THREAD OUTLET WITH BALL VALVE (OR EQUAL LOW-FRICTION VALVE), FORD BALLCORP FB400-7, MUELLER ORISEAL NO. H-9968, OR APPROVED EQUAL.
- (C) COUPLING, 2" FEMALE IRON PIPE THREAD BY 2" PACK JOINT (COMPRESSION FITTING) FOR COPPER, FORD C14-77, MUELLER NO. H-15451, OR APPROVED EQUAL.
- (D) 2" COPPER TUBING, TYPE K.
- (E) 2" STREET ELL, BRASS, FEMALE IRON PIPE THREAD BY FEMALE IRON PIPE THREAD.
- (F) 2" NIPPLE, BRASS, M.I.P.T. x M.I.P.T., LENGTH AS REQUIRED TO MEET PROPER GRADE.
- (G) 2" ANGLE METER VALVE WITH PADLOCK WINGS, FEMALE IRON PIPE BY FLANGED END FOR METER, FORD FV13-777W, MUELLER NO. H-14286, OR APPROVED EQUAL.
- (H) 2" COMPANION FLANGE, FORD NO. 7F FLANGE, OR APPROVED EQUAL. TO BE WIRED OR SECURED TO ANGLE VALVE.
- (I) METER BOX:
CARSON INDUSTRIES 1730-18 BCFXL METER BOX WITH OLDCASTLE #0200158S, FIBRELYTE FL36P, SOLID BLACK LID WITH EMBEDDED REBAR, MARKED "WATER METER", 4 1/8" X 5/16" RECESS, 2" HOLE, OR APPROVED EQUAL. OLYMPIC FOUNDRY SM30, OR APPROVED EQUAL, IN SIDEWALK AND IN AREAS WITH VEHICULAR TRAFFIC. LID TO HAVE 3/4" HOLE DRILLED THROUGH FOR AMR, SEE LID DETAIL BELOW.
- (J) 2" PLASTIC AMR PLUG, FORD METER BOX CO. MODEL PTP-BR-3-25 IF OLDCASTLE LID IS USED.

NOTES:

1. SERVICE LINE SHALL BE PERPENDICULAR TO THE WATERMAIN, UNLESS OTHERWISE APPROVED BY THE ENGINEER.
2. APPROVED BACKFLOW PREVENTION DEVICE MUST BE INSTALLED PER D.O.H. REQUIREMENTS. IRRIGATION SYSTEM SHALL NOT BE PUT INTO SERVICE UNTIL THE BACKFLOW PREVENTION DEVICE IS APPROVED BY THE CITY OF BELLEVUE WATER QUALITY TECHNICIAN.
3. CUSTOMER'S SIDE OF SERVICE SHALL NOT BE PLUMBED INSIDE THE METER BOX UNTIL THE METER IS SET.
4. METER WILL BE SUPPLIED AND INSTALLED BY THE CITY OF BELLEVUE.



	<h1 style="margin: 0;">City of Bellevue</h1>	<p>WATER UTILITY</p>
---	--	----------------------

TITLE	2" IRRIGATION WATER SERVICE
-------	-----------------------------