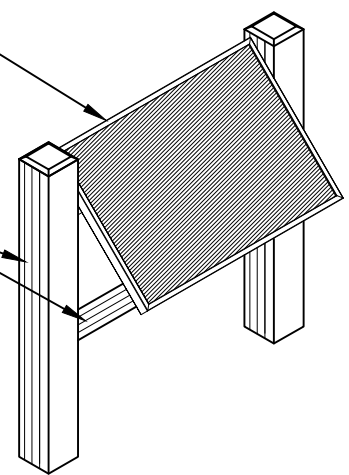


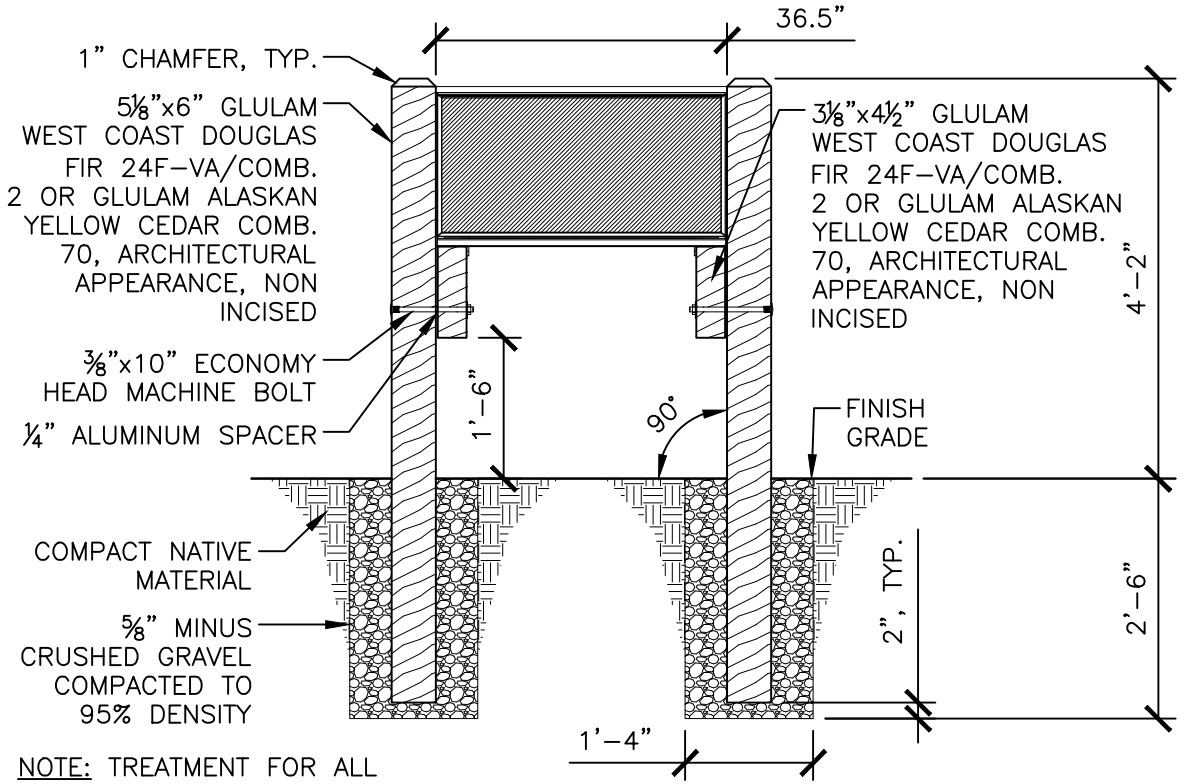
PLAN

SEA REACH 36.5"x24.5" F CHANNEL EXTRUSION AND BACK PLATE ASSEMBLY (PRODUCT #F63TXN311), OR APPROVED EQUAL -PAINT BACK PLATE FRAME NPS BROWN, TYP.

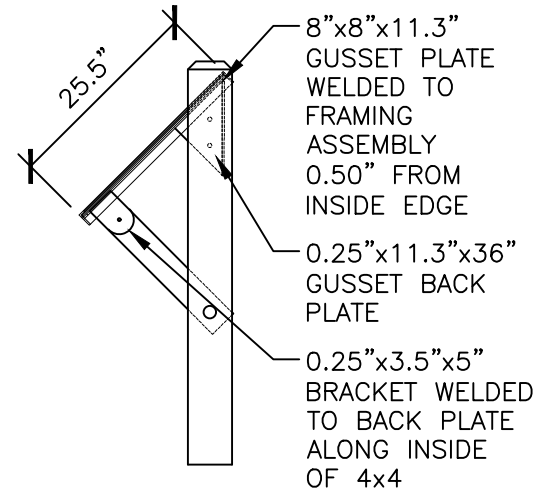
GLULAMS VISIBLE FROM SIDE



ISOMETRIC VIEW



ELEVATION



SECTION

NOTE: TREATMENT FOR ALL GLULAM MEMBERS TO BE DETERMINED BY BELLEVUE PARKS



City of Bellevue

TITLE:
COAL CREEK NATURAL AREA - SIGN - INTERPRETIVE

DRAWING #:	PK-CC-06
SCALE:	N.T.S.
REVISION DATE:	01-2020
DEPARTMENT:	PARKS