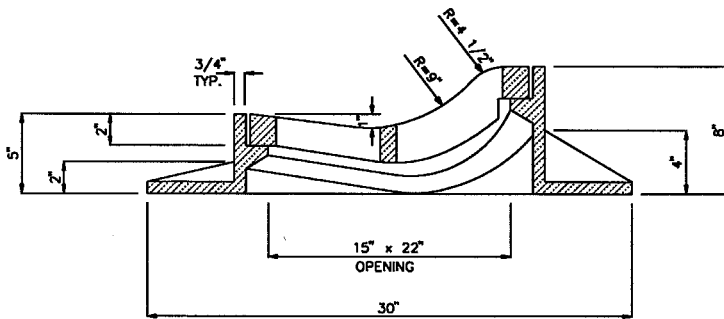
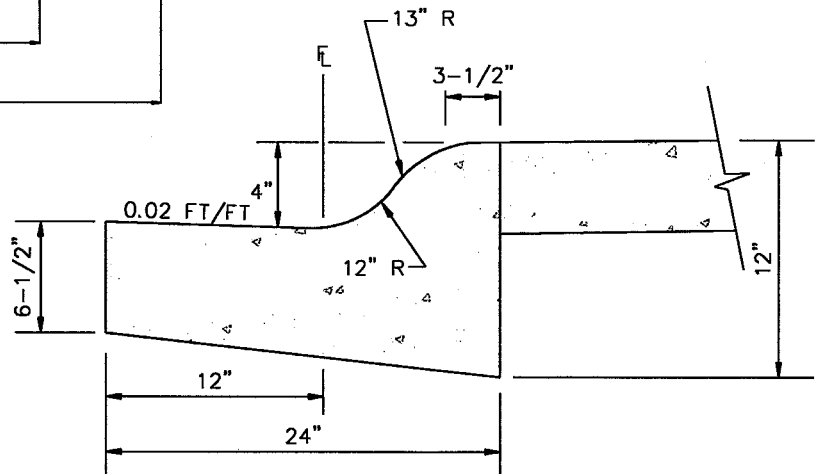


PLAN



SECTION A-A



ROLLED CURB

NOTES:

1. MATERIAL IS CAST IRON ASTM A48 CLASS 30.
2. LIMITED USE APPLICATIONS:
 - ONLY USE WHERE THRU-CURB INLET IS NEEDED (e.g. SAG VERTICAL CURVES).
 - NOT TO BE USED ON THICKENED EDGE ROADWAYS.



City of Bellevue

SURFACE WATER UTILITY

TITLE

ROLLED CURB
FRAME & GRATE

MARCH, 1996

NO SCALE

NO. D-12